

## Ventilation and energy efficiency

The energy-saving opening type WINTER / SUMMER (*additional option*) is a solution that allows you to adjust the amount of air admitted to the climatic conditions outside.

In this way, unpleasant drafts and high energy costs can be avoided with a simple hand movement.



**stollar**  
WINDOWS and DOORS



ul. Północna 50A  
16-400 Suwałki



(+48 87) 562-69-69



stollar@stollar.pl



@stollarpolska

[www.stollar.pl](http://www.stollar.pl)

**stollar**  
WINDOWS and DOORS

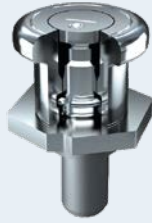
## Open up to **a new standard of fittings**



[www.stollar.pl](http://www.stollar.pl)

## Safety

goes hand in hand with a modern form



Stollar iRoller

### Unquestionable security

- Stollar iRoller mushrooms type head Pins will give you peace of mind and no worries related to the visit of "unexpected guests".
- The rotary function of the mushroom type head pin guarantees appropriate and easy positioning (fitting in) and a durable closing system.



Espagnolette

### Efficient and effective at the same time

- In combination with rotary mushrooms type head pins, it perfectly increases the effectiveness of anti-burglary protection.
- All those elements are turned automatically, which affects the ease of use and extends the life of the mechanism.



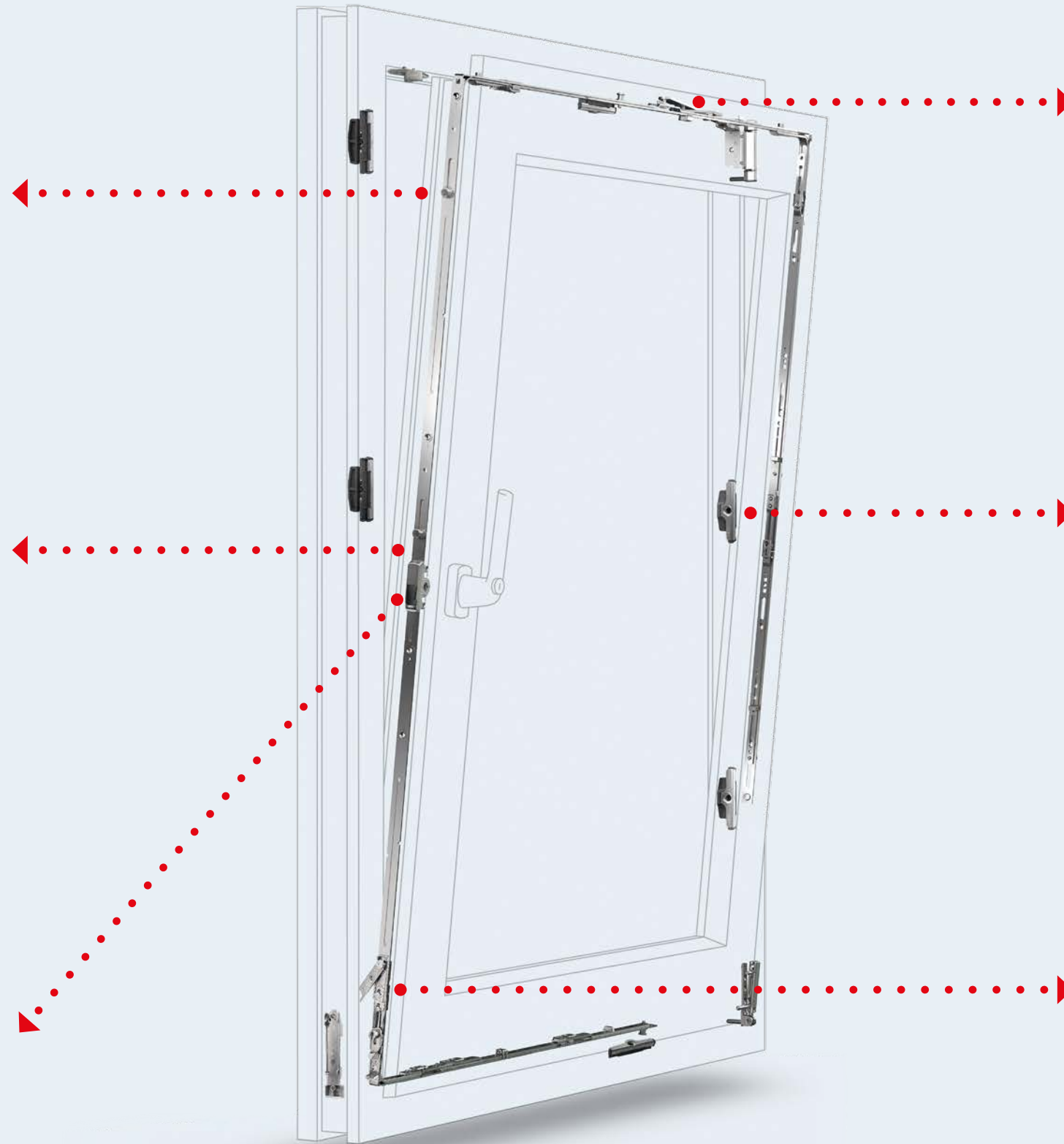
Blockade of incorrect position of the handle

### No place for mistakes

- Control of unintentional opening of windows (it is not possible to open and tilt the window at the same time, so that the entire construction does not risk to damage the hinges).
- Childishly simple opening and closing of the construction. End of struggling with the window during closing it by the sash.

## No compromises

The best solutions on the market are our standard



\* fitting shown for a 1230 x 1480 window

## Convenience

and maximum comfort of use

### We are not afraid of the wind

- The intelligent system stabilizes the window in the tilt position even during a strong wind.
- The Comfort of use and smooth tilt also at large dimensions of the window.



Opening sash brake (scissors type)

### Noises from the outside will not bother You anymore

- The precise pressure closing of the sash, gives no place even to the smallest gaps, which will ensure peace and quiet in your home.
- Increased tightness also reduces energy costs (heat does not escape from the house) and protects against moisture.



Standard perimeter catch

### Usage is light as a feather

- Stollar iUpper raises the sash while closing it and ensures easiness of use even with large dimensions.
- The auto-navigation of the sash system ensures that the window always returns to the correct starting position.
- The proper functioning of the sash translates into longer window life.



Stollar iUpper